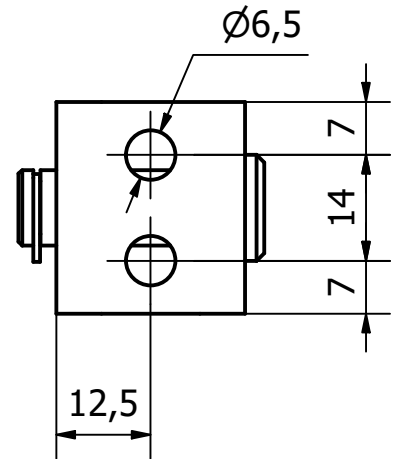
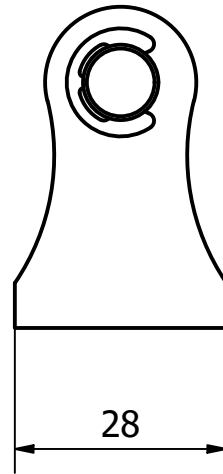
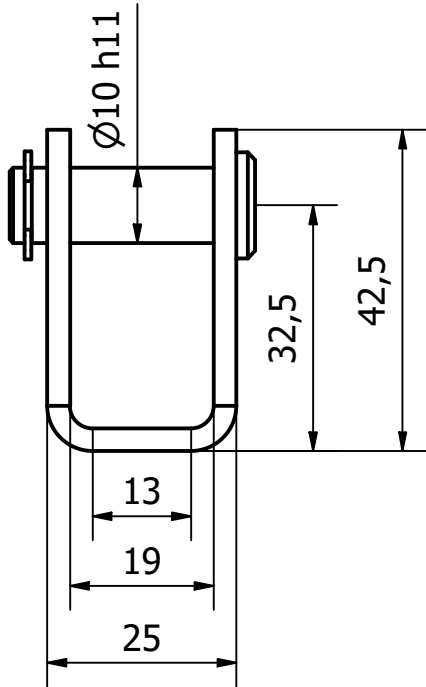
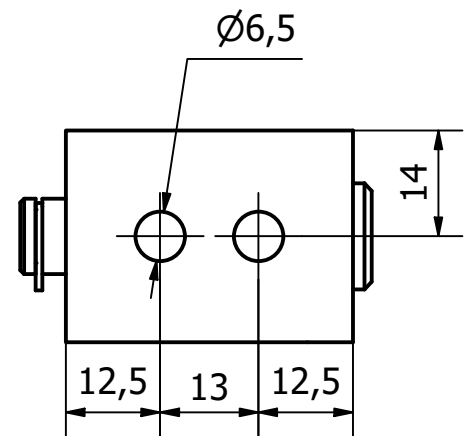
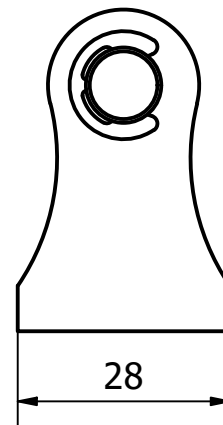
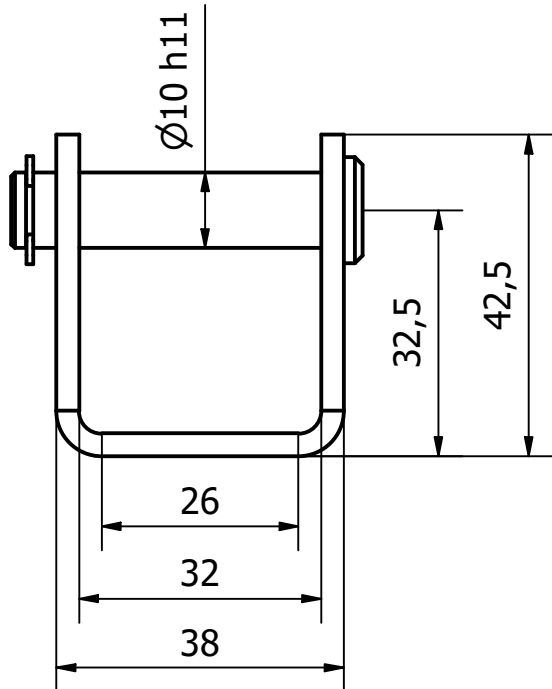


Front Bracket



Rear Bracket



concents

member of **Bansbach** group

Oddesundvej 1 Phone: +4570111131
DK-6715 Esbjerg N Mail: Info@concents.com
Denmark Web: www.concents.com

DIMENSIONS ARE IN mm
DIMENSIONS WITHOUT
TOLERANCES IN
ACCORDANCE WITH
ISO 2768-m
DO NOT SCALE DRAWING

	Name	Date
Drawn	JBM	22-09-2023
Checked	THL	26-09-2023
Eng Appr.		
Mfg Appr.		
Q. Appr.		

Product Group:
Concents Actuator Parts

Product Name:
con35

Part Name:
Mounting Brackets

Note:
Stainless Steel

Proprietary and confidential
The information contained in this drawing is the sole property of Concents A/S. Any reproduction in part or as a whole without the written permission of Concents A/S is prohibited

Material: **AISI316**

Scale:
NA

Finish:



Weight:
N/A

Comments:

Drawing No:
A4 35-230-01-0000-21-01

Rev.
01