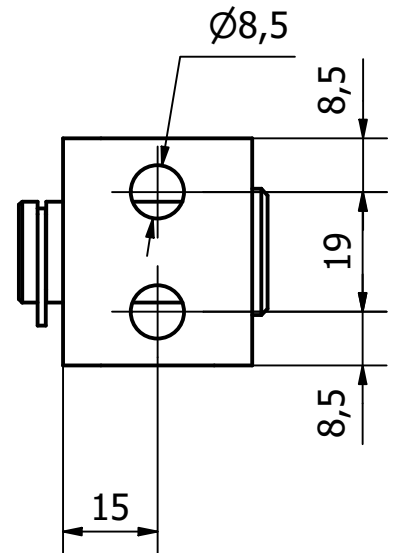
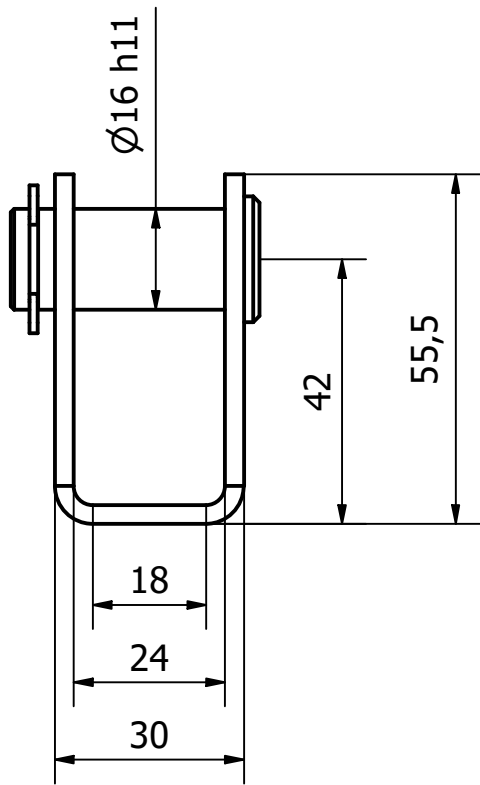
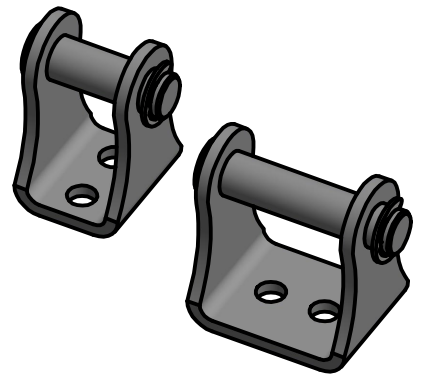
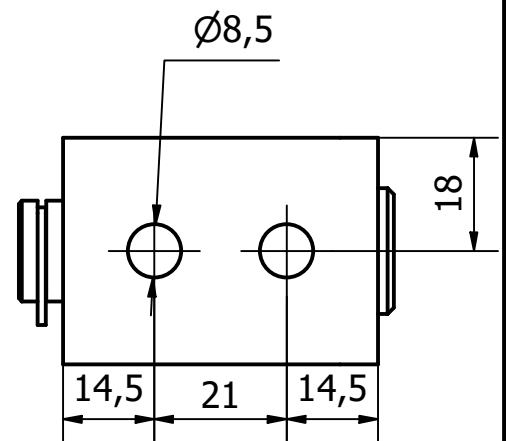
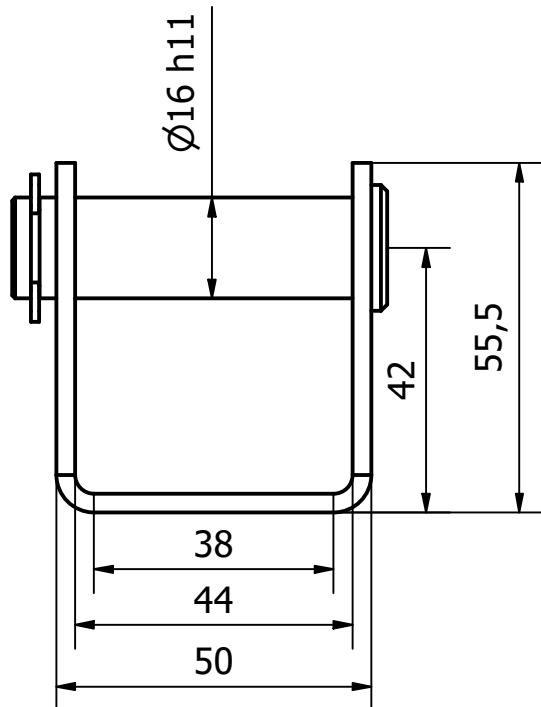


### Front Bracket



### Rear Bracket



**concents**

member of **Bansbach** group

Odesundvej 1 Phone: +4570111131  
 DK-6715 Esbjerg N Mail: Info@concents.com  
 Denmark Web: www.concents.com

DIMENSIONS ARE IN mm  
 DIMENSIONS WITHOUT  
 TOLERANCES IN  
 ACCORDANCE WITH  
 ISO 2768-m  
 DO NOT SCALE DRAWING

	Name	Date
Drawn	JBM	22-09-2023
Checked	THL	26-09-2023
Eng Appr.		
Mfg Appr.		
Q. Appr.		

Product Group:	Concents Actuator Parts
Product Name:	con50
Part Name:	con50 Mounting Brackets

**Proprietary and confidential**  
 The information contained in this drawing is the sole property of Concents A/S. Any reproduction in part or as a whole without the written permission of Concents A/S is prohibited

Material:	AISI316	Scale:	NA
Finish:			
1. angel projection	Weight:		
	N/A		

Comments:

Note:	Stainless Steel
Drawing No:	A4 50-230-01-0000-21-01
Rev.	01