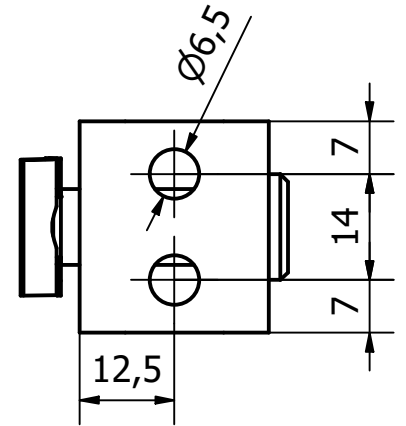
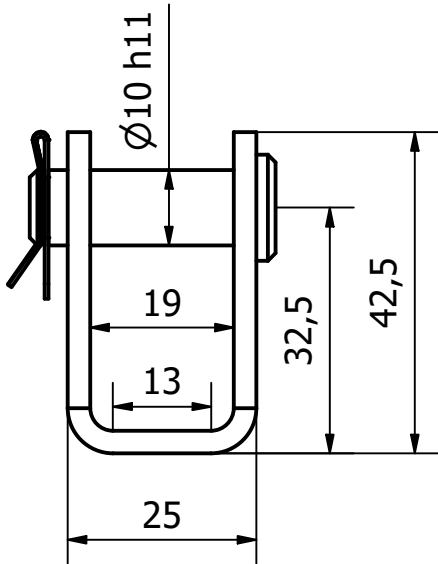
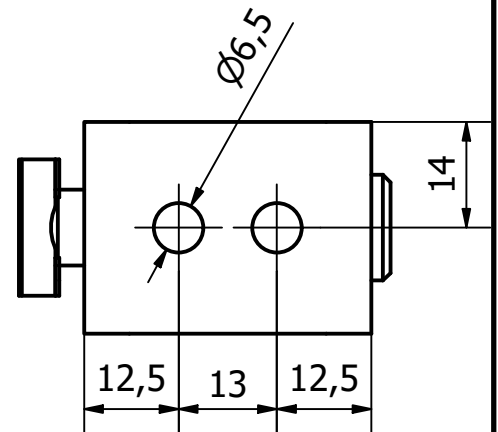
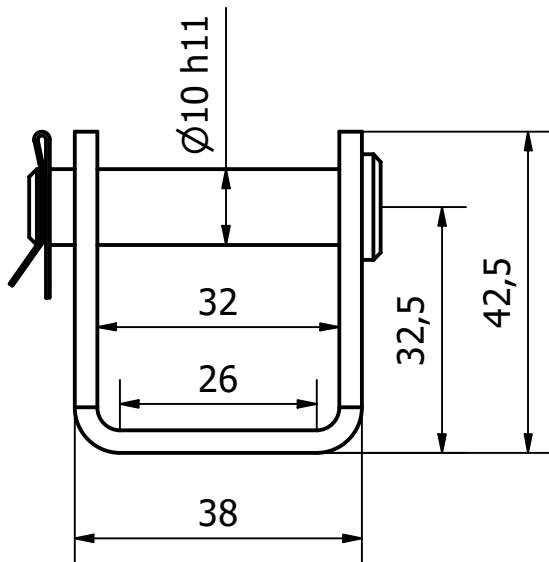


Front Bracket



Rear Bracket



concents

Oddesundvej 1 Phone: +4570111131
DK-6715 Esbjerg N Mail: Info@concents.com
Denmark Web: www.concents.com

DIMENSIONS ARE IN mm
DIMENSIONS WITHOUT
TOLERANCES IN
ACCORDANCE WITH
ISO 2768-mK
DO NOT SCALE DRAWING

	Name	Date
Drawn	SEL	05-10-2021
Checked		
Eng Appr.		
Mfg Appr.		
Q. Appr.		

Product group: Concents actuator parts

Product name:

Part name:

Mounting Brackets Con35

Note:

Proprietary and confidential
The information contained in this drawing is the sole property of Concents A/S. Any reproduction in part or as a whole without the written permission of Concents A/S is prohibited

Material: Steel

Finish: Elektro Galvanized

1. angle projection Weight:



Drawing No:
A4 35-230-01-0000-10-01

Rev.
03