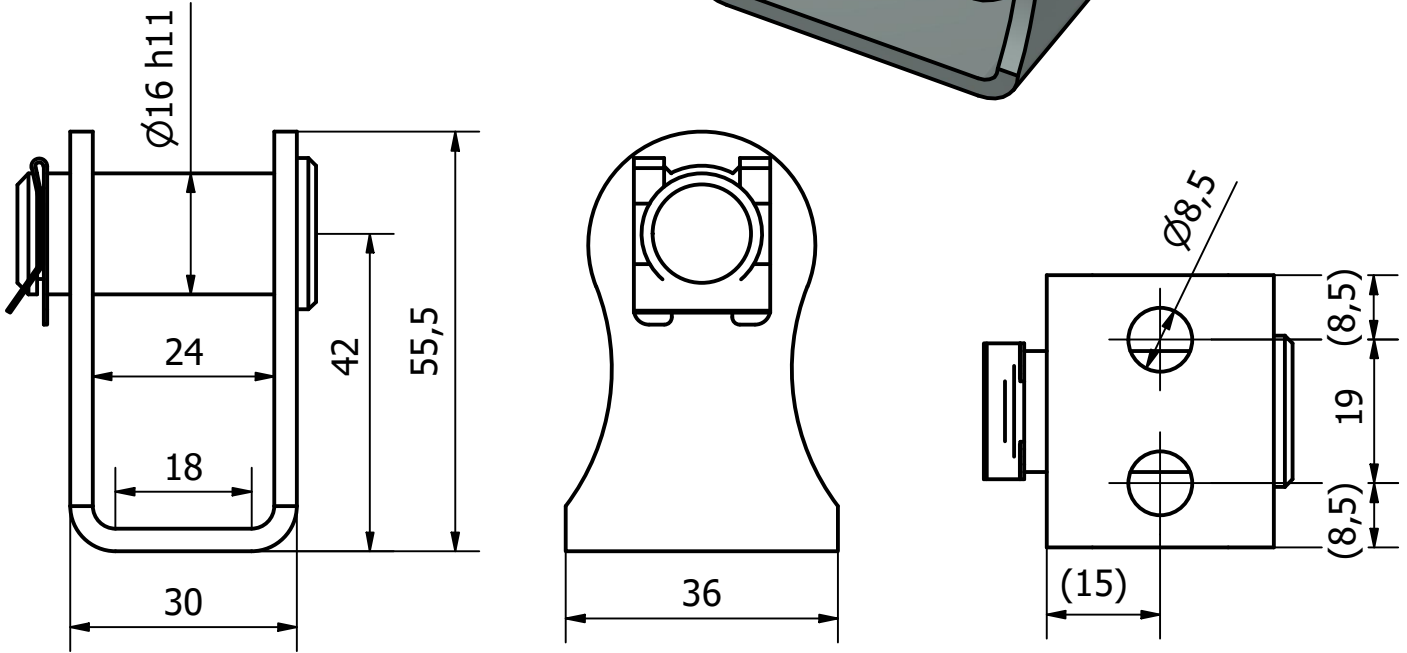
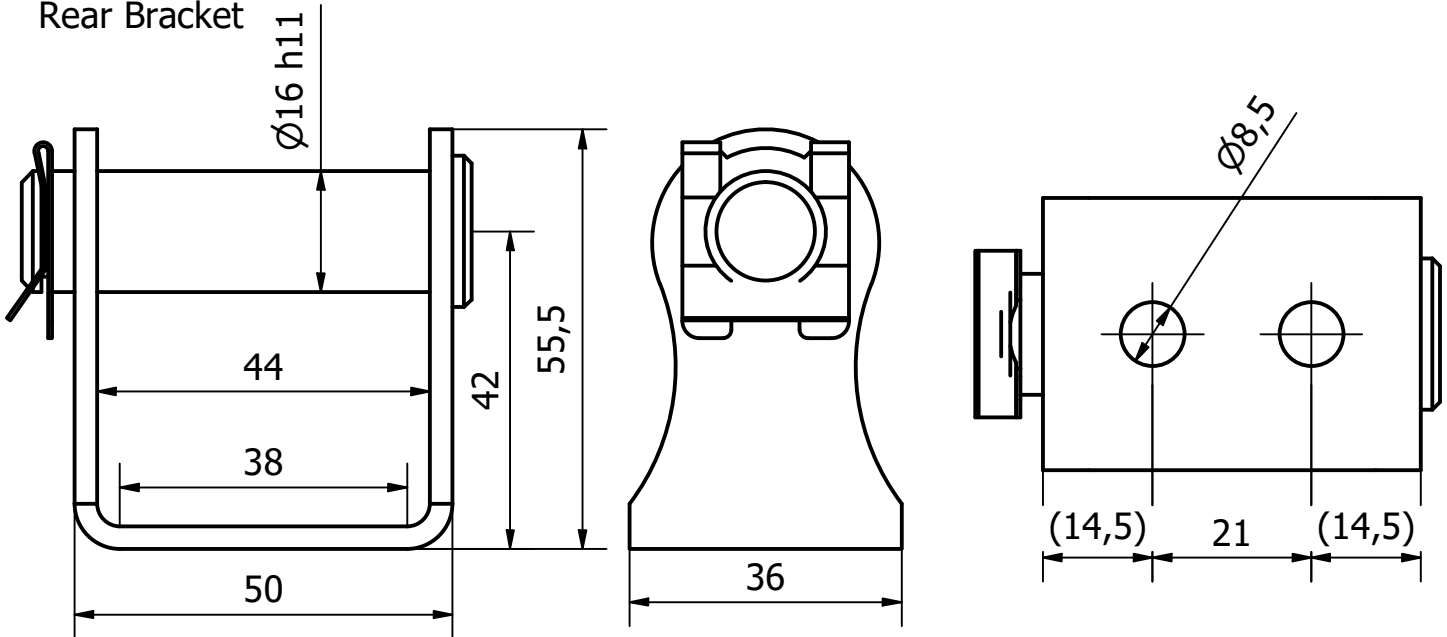


Front Bracket



Rear Bracket



**concents**

Odesundvej 1 Phone: +4570111131  
 DK-6715 Esbjerg N Mail: Info@concents.com  
 Denmark Web: www.concents.com

DIMENSIONS ARE IN mm  
 DIMENSIONS WITHOUT  
 TOLERANCES IN  
 ACCORDANCE WITH  
 ISO 2768-mK  
 DO NOT SCALE DRAWING

	Name	Date
Drawn	SEL	05-10-2021
Checked		
Eng Appr.		
Mfg Appr.		
Q. Appr.		
Comments:		

Product group: Concents actuator parts

Product name:

Part name:

Mounting Brackets Con50

Note:

**Proprietary and confidential**  
 The information contained in this drawing is the sole property of Concents A/S. Any reproduction in part or as a whole without the written permission of Concents A/S is prohibited

Material: Steel

Finish: Elektro Galvanized

1. angle projection Weight:



Drawing No: A4 50-230-01-0000-10-01

Rev. 03