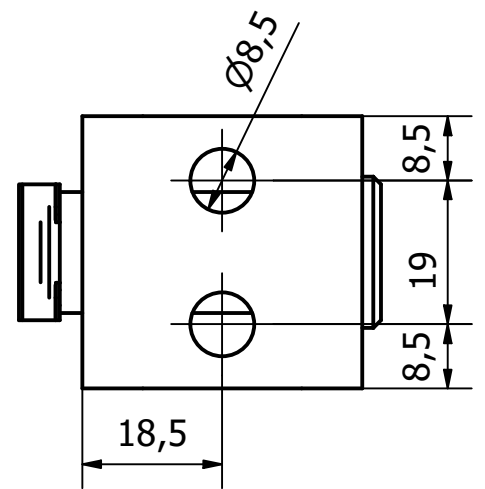
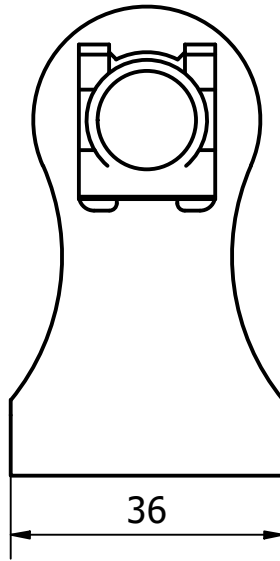
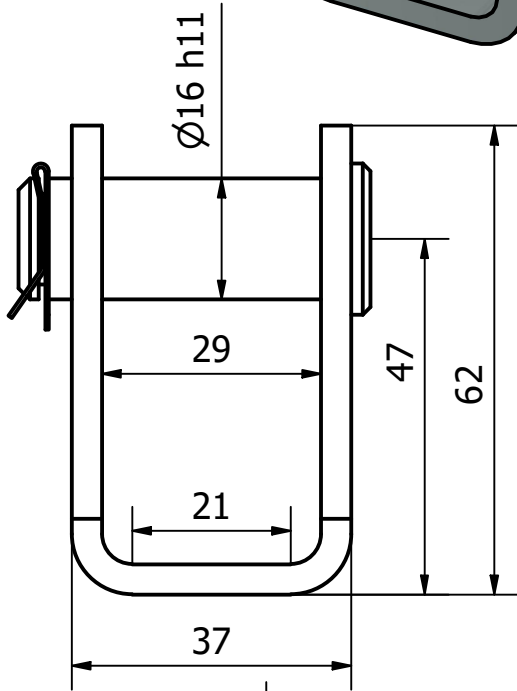
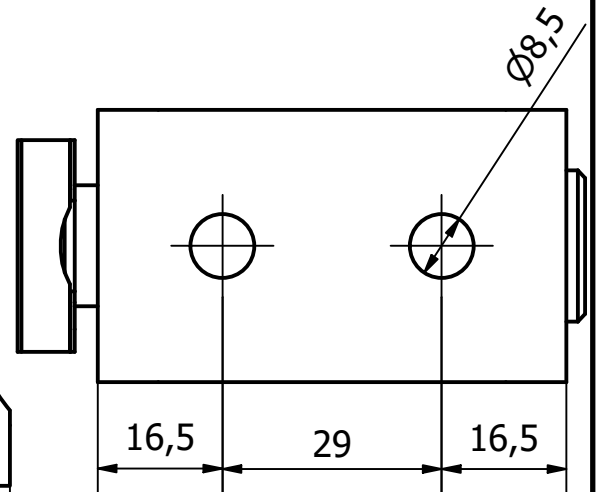
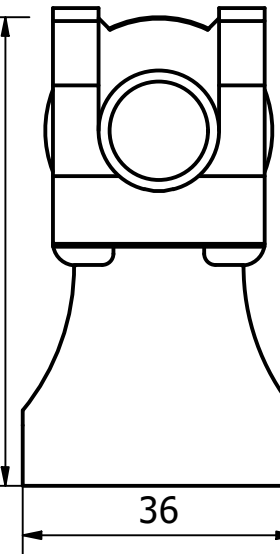
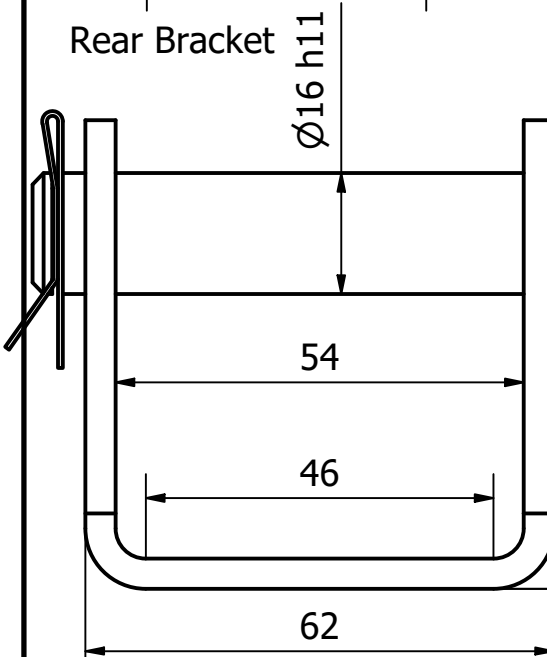


Front Bracket



Rear Bracket



**concents**

Oddesundvej 1 Phone: +4570111131  
DK-6715 Esbjerg N Mail: Info@concents.com  
Denmark Web: www.concents.com

DIMENSIONS ARE IN mm  
DIMENSIONS WITHOUT  
TOLERANCES IN  
ACCORDANCE WITH  
ISO 2768-mK  
DO NOT SCALE DRAWING

	Name	Date
Drawn	SEL	05-10-2021
Checked		
Eng Appr.		
Mfg Appr.		
Q. Appr.		

Product group: Concents actuator parts

Product name:

Part name:  
Mounting Brackets Con60

Note:

**Proprietary and confidential**  
The information contained in this drawing is the sole property of Concents A/S. Any reproduction in part or as a whole without the written permission of Concents A/S is prohibited

Material: Steel

Finish: Elektro Galvanized

1. angle projection Weight:



Drawing No:  
A4 60-230-01-0000-10-01

Rev.  
03